



**RefTec**  
INTERNATIONAL SYSTEMS LLC

# Desiccant Bed™



OPERATION MANUAL

Version 2.0 (rev date 09/25/19)

PORTABLE SERVICE CART MODEL (BDDB001FT + BDDB002FT)

# Table of Contents

<i>Page</i>	<i>Item</i>
2	Specifications
3	Product Description
4	Operating Procedures
5	Primary Component Diagram
6	Replacement Parts List
7	Warranty

---

## Specifications

### Models

BDDDB001FT – ½" MFL Connection

BDDDB002FT – ¾" MFL Connection

### Dimensions (approximate)

19.56" Long x 21" Wide x 59.75" High (See page 3 for views)

### Weight

251 lbs. (458 lbs. shipping)

Rev 2 09-25-2019

### Desiccant

Charged with 60 lbs of 8 x 12 beads

### Notice

RefTec International, Inc. urges that all HVAC servicers working on RefTec equipment or any manufacturer's products, make every effort to eliminate, if possible, or vigorously reduce the emission of CFC, HCFC, and HFC refrigerants to the atmosphere resulting from installation, operation, routine maintenance, or major service of this equipment. Always act in a responsible manner to conserve refrigerants for continued use even when acceptable alternatives are available. Conservation and emission reduction can be accomplished by following recommended service and safety procedures.

### WARNING!!

To avoid injury or death due to inhalation of, or skin exposure to refrigerant, closely follow all safety procedures described in the Material Safety Data Sheet for the refrigerant and to all labels on refrigerant containers. Certain procedures common to refrigeration system service may expose personnel to liquid or vaporous refrigerant.

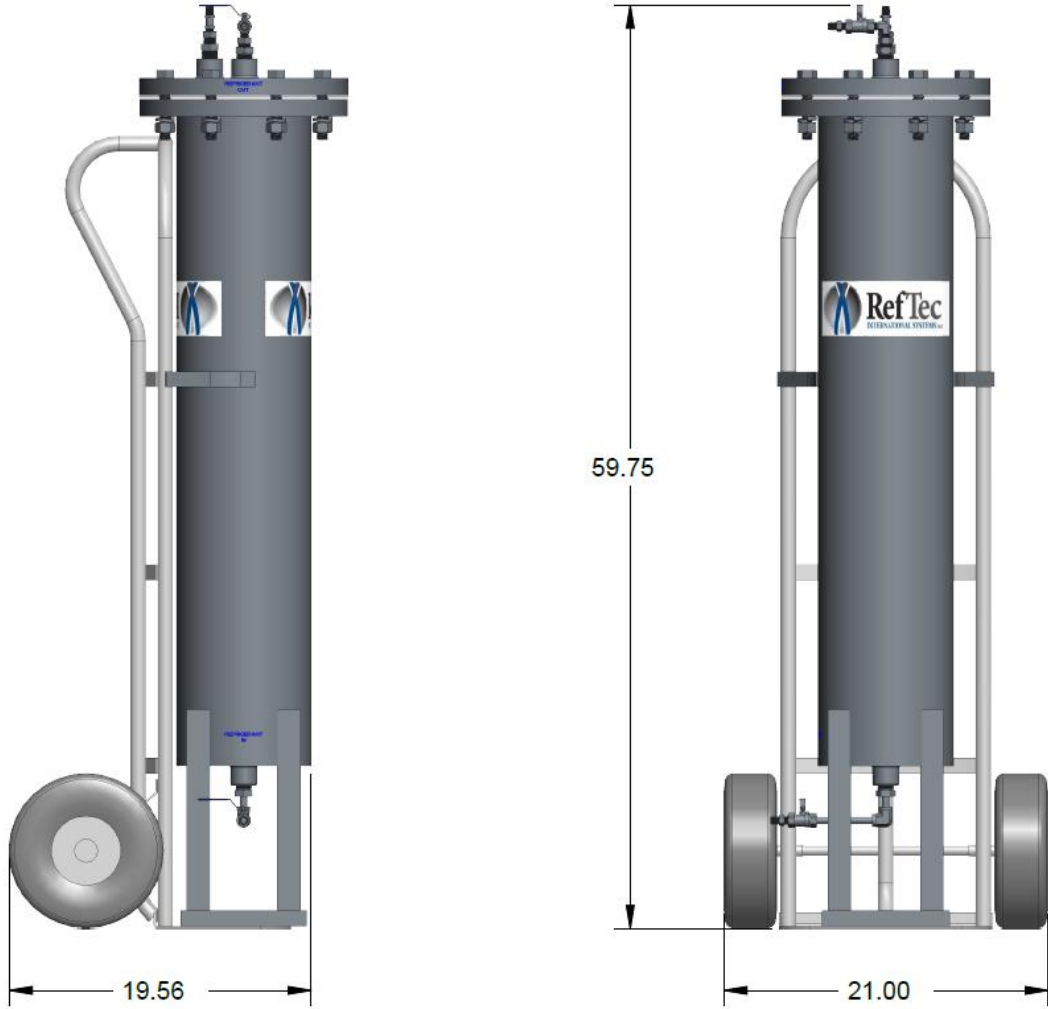
# Product Description

The RefTec Desiccant Bed is a portable system that removes moisture from refrigerant.

The RefTec Desiccant Bed Comes with (2) 1/2" MFL Connections, (2) 100 Mesh Strainers and (1) 300 psi blow off. All of these are mounted on an 8" SS Sch 40 welded vessel via 8" blind flange, then mounted on a portable 2 wheel hand cart.

Inlet valve is on the bottom & outlet valve is on the top of the vessel. The 300 psi blow off is also located on the top as well.

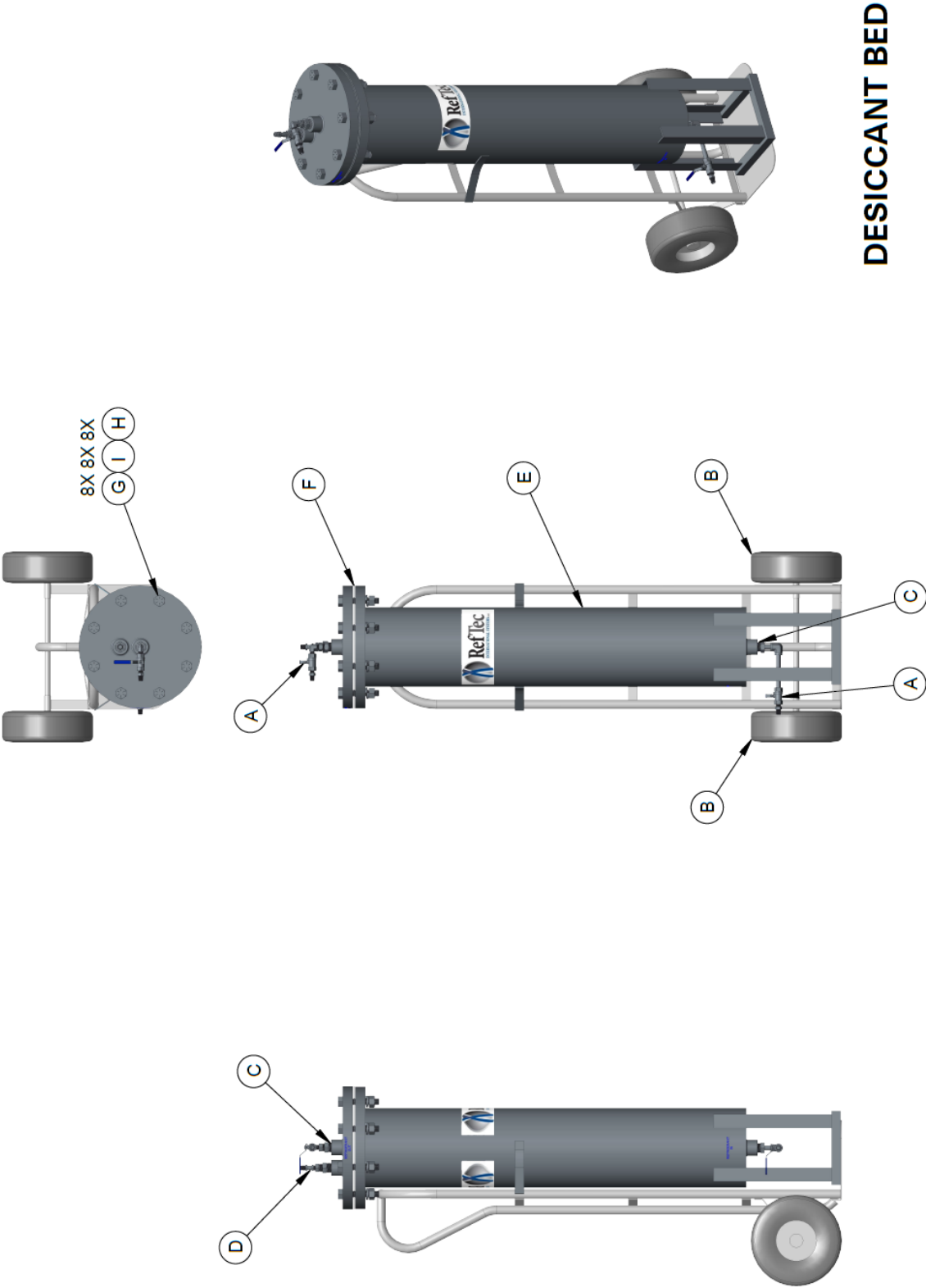
The Desiccant Bed is charged with 60 lbs of 8x12 beads. This is good for up to 20,000 lbs of refrigerant.



# Operating Procedures

1. Check to insure Bed is in a vacuum.
2. Connect Hose to Inlet (Bottom) of Desiccant Bed
3. Connect Hose to Outlet (Top) of Desiccant Bed
4. Open Both Valves Before starting to move Refrigerant
5. After Completion, close both valves & disconnect hoses
6. Desiccant Bed will need to be recovered into your cleaned gas cylinder
7. After Recovery of Desiccant Bed is Complete, Pull Desiccant Bed in to a 500 Micron vacuum off the Top Valve
8. Once Vacuum is achieved, close valve
9. After using the Desiccant Bed for up to 20,000 lbs of refrigerant Change out Desiccant
10. To Change Desiccant, remove bolts and nuts from flange. Remove flange and gasket. Using a shop vacuum, suck out the used desiccant & dispose of per EPA regulations. Refill with 60 lbs of Desiccant as specified by RefTec.
  - **Do not remove valves from top or bottom or pressure relief.**
11. After changing desiccant, reassemble blind flange w/gasket. Snug bolts tight until all are tight. Torque bolts to 80 ft-lbs.

# Primary Component Diagram





# Manufacturers Limited Warranty

---

RefTec warrants that the equipment will, under normal and anticipated use, be free from defects in refrigerant related parts for a period of one (1) year from and after the date of shipment, and be free from defects in electrical related parts for a period of ninety (90) days from and after the date of shipment, but in all cases excluding consumables and other matters as hereinafter provided. Labor is NOT covered and shall be the sole cost and responsibility of the Purchaser. The obligation of RefTec under this limited warranty is limited to the supplying of parts (excluding consumables) as hereinabove specifically provided. Parts shall be new or nearly new.

RefTec shall be liable to replace the applicable parts only if (i) RefTec is properly notified by Purchaser upon discovery of the alleged defects, (ii) defective parts are returned to RefTec upon authorization with all transportation charges prepaid by Purchaser, (iii) RefTec's examination of the parts discloses to its satisfaction that the defects were not caused by the Purchaser or its agents and (iv) the parts are otherwise covered by RefTec's limited warranty.

Purchaser shall be responsible to select the means of transportation and bear the cost of inbound and outbound freight expense associated with any replacement parts, and all risk of loss attendant thereto.

Notwithstanding anything contained in this warranty to the contrary, (i) this limited warranty shall become null and void upon the use of any improper chemicals or in the event any modifications or improper service or installation is performed on the equipment, (ii) this limited warranty does not apply to consumable materials such as, but not limited to, indicator lamps, fuses, all fluids, filters, coatings, etc., and (iii) this limited warranty is applicable only to Purchaser, and no subsequent purchasers of the equipment from Purchaser shall be entitled to any warranty whatsoever from RefTec, express or implied.

THIS WARRANTY CONSTITUTES THE SOLE AND EXCLUSIVE WARRANTY OF REFTEC WITH RESPECT TO THE EQUIPMENT, THERE ARE NO OTHER WARRANTIES, EXPRESS OR IMPLIED, AND REFTEC SPECIFICALLY DISCLAIMS ALL OTHER WARRANTIES, EXPRESS OR IMPLIED, INCLUDING (WITHOUT LIMITATION), ANY AND ALL WARRANTIES AS TO THE SUITABILITY OR MERCHANTABILITY OR FITNESS FOR ANY PARTICULAR PURPOSE OF THE EQUIPMENT FURNISHED HEREUNDER.

THE EXCLUSIVE REMEDY OF PURCHASER AGAINST REFTEC FOR ANY BREACH OF THE FOREGOING LIMITED WARRANTY SHALL BE TO SEEK REPLACEMENT OF THE AFFECTED PARTS. IN NO

EVENT WILL REFTEC'S LIABILITY IN CONNECTION WITH THE EQUIPMENT WHICH IS FOUND TO BE DEFECTIVE EXCEED THE AMOUNTS PAID BY PURCHASER TO REFTEC HEREUNDER FOR SUCH EQUIPMENT WHICH IS SPECIFICALLY FOUND TO BE DEFECTIVE. THESE LIMITATIONS APPLY TO ALL CAUSES OF ACTION IN THE AGGREGATE, BOTH AT LAW AND IN EQUITY, AND INCLUDING WITHOUT LIMITATION, BREACH OF CONTRACT, BREACH OF WARRANTY, REFTEC'S NEGLIGENCE, INFRINGEMENT, STRICT LIABILITY, MISREPRESENTATION AND OTHER TORTS AND CONTRACTUAL CLAIMS. EXCEPT FOR THE EXCLUSIVE REMEDY PROVIDED ABOVE FOR REFTEC'S BREACH OF THIS LIMITED WARRANTY, PURCHASER, FOR ITSELF AND ITS SUCCESSORS AND ASSIGNS, HEREBY WAIVES AND RELEASES REFTEC FROM ANY AND ALL OTHER CLAIMS OR CAUSES OF ACTION THEY HAVE AGAINST REFTEC ON ACCOUNT OF OR ASSOCIATED WITH THE EQUIPMENT PURCHASED HEREUNDER OR FOR REFTEC'S BREACH OF THIS LIMITED WARRANTY. IN NO EVENT SHALL REFTEC BE LIABLE FOR ANY INDIRECT, SPECIAL, INCIDENTAL, CONSEQUENTIAL OR PUNITIVE DAMAGES,

SUCH AS, BUT NOT LIMITED TO, LOSS OF ANTICIPATED PROFITS, LOST SAVINGS, LOST REVENUES, FINES, OR OTHER ECONOMIC LOSS IN CONNECTION WITH OR ARISING OUT OF THE EXISTENCE, FURNISHING, FUNCTIONING OR USE OF ANY ITEM OF EQUIPMENT PROVIDED UNDER THIS AGREEMENT, EVEN IF REFTEC HAS BEEN ADVISED OF THE POSSIBILITY OF SUCH DAMAGES AND/OR SUCH DAMAGES ARE REASONABLE AND/OR FORESEEABLE. FURTHER, PURCHASER FOR ITSELF AND ITS SUCCESSORS AND ASSIGNS, WAIVES AND RELEASES ANY RIGHTS THEY MAY HAVE TO BRING AN ACTION ARISING OR RESULTING FROM THIS AGREEMENT, REGARDLESS OF ITS FORM, MORE THAN FIFTEEN (15) MONTHS AFTER SHIPMENT OF THE AFFECTED EQUIPMENT BY REFTEC TO PURCHASER.

The provisions of this warranty shall supersede any contrary provisions contained in this agreement, any document supplied by RefTec to Purchaser or by Purchaser to RefTec, or any other agreement, written or oral, between Purchaser and RefTec, notwithstanding the fact that the provisions contained in this warranty directly conflict with other terms or provisions of this agreement or such other documents, or that such other documents or agreements were provided, delivered, made or executed subsequent to this agreement unless such agreements are in writing, specifically refer to this agreement, specifically provide that they are amending this and are signed by the President of RefTec.